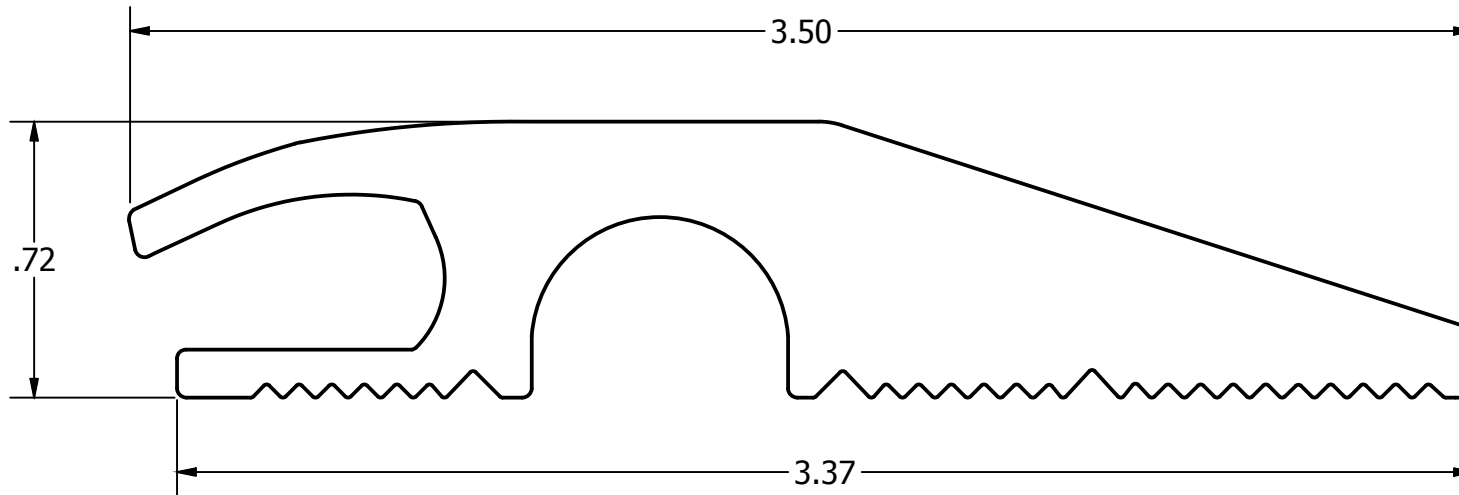
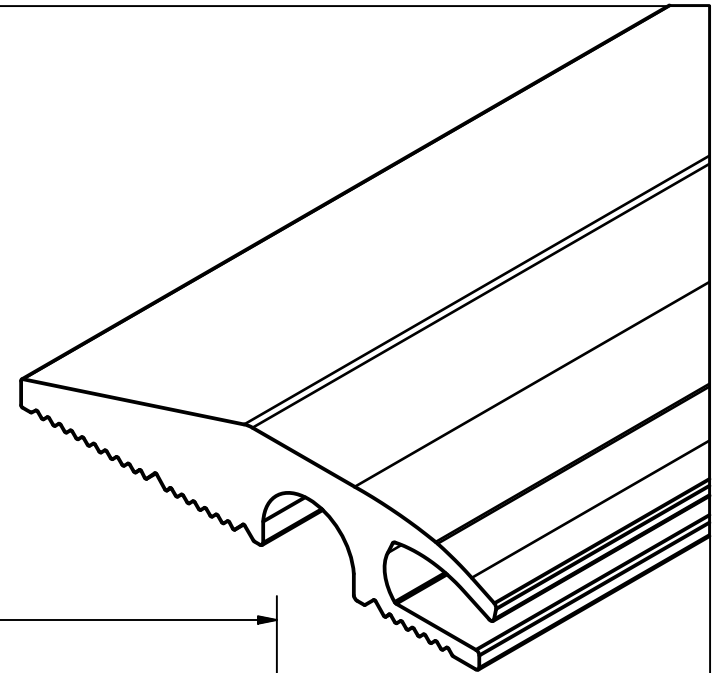


# Finishes:

Black (Standard)  
 Grey- Grey Stone  
 Tan- Tan Stone



|               |
|---------------|
| Job:          |
| Prepared For: |
| Prepared By:  |
| Date:         |
| Remarks:      |



|                                   |                          |
|-----------------------------------|--------------------------|
| Aluminum Alloy<br>N/A             | Part No.<br><b>1020</b>  |
| Insert Material<br>Semi-Rigid PVC | Scale (Side View)<br>2:1 |