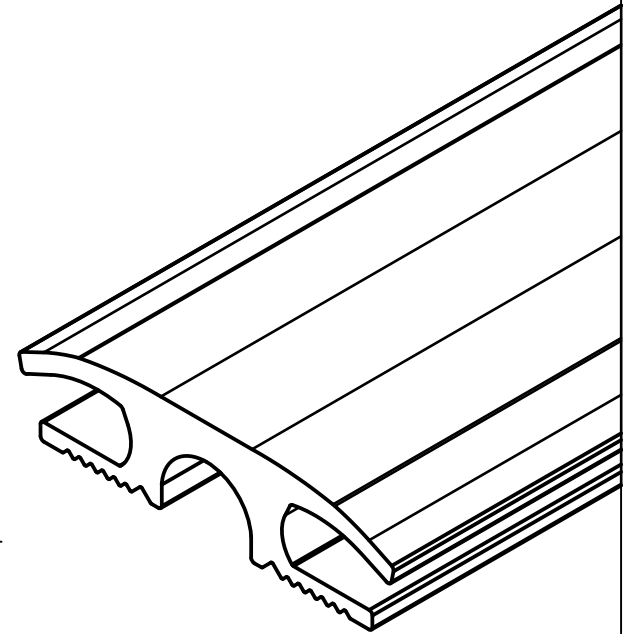
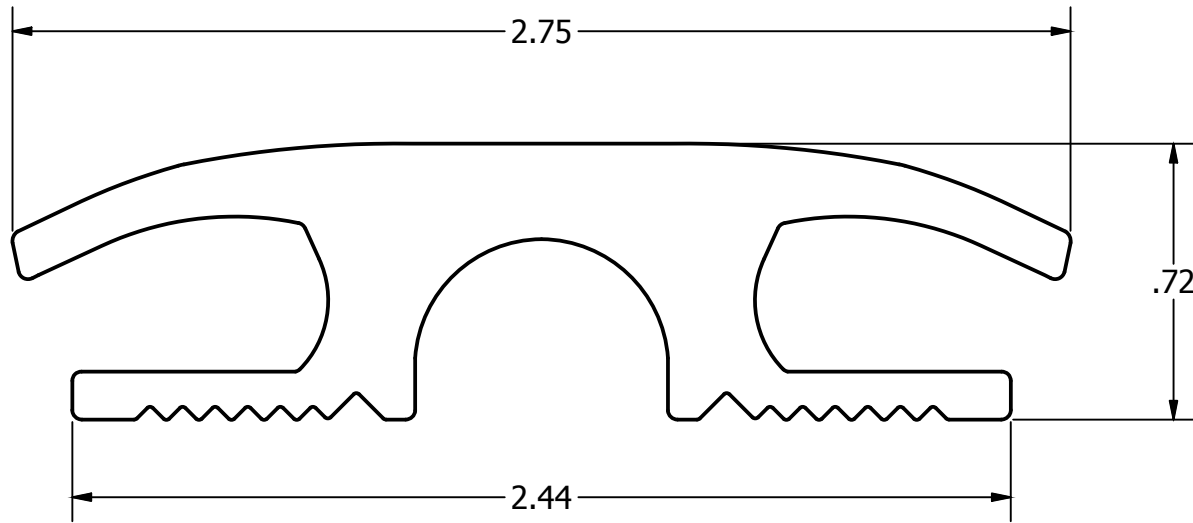


Finishes:

Black (Standard)
 Grey- Grey Stone
 Tan- Tan Stone



Job:
Prepared For:
Prepared By:
Date:
Remarks:



Aluminum Alloy N/A	Part No. 1010
Insert Material Semi-Rigid PVC	Scale (Side View) 2:1