

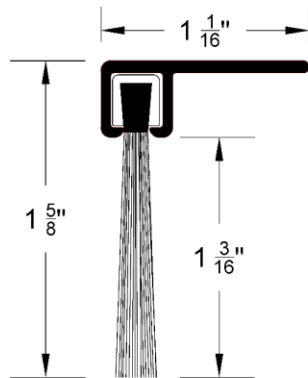


Weatherstrip

Guaranteed quality since 1918

Sweep

985 – Nylon Brush Insert 



#6 x 5/8" sheet metal screws provided.
TEK screws available upon request.

Finishes:

- C - Clear Anodized Aluminum
- D - Dark Bronze Anodized Aluminum
- G - Gold Anodized Aluminum

Job:
Prepared For:
Prepared By:
Date:
Remarks: