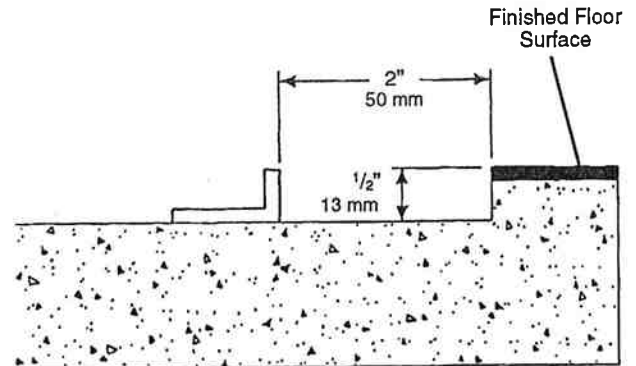


1. Prepare the floor recess

Prepare a recess in the concrete flooring where the mat will be located. The recess should be at least:

- 1/2" (13 mm) deep
- 4" (100 mm) wider than the outside dimensions of the frame — this allows 2" (50 mm) on all sides to maneuver the frame into position



2. Drill anchor holes

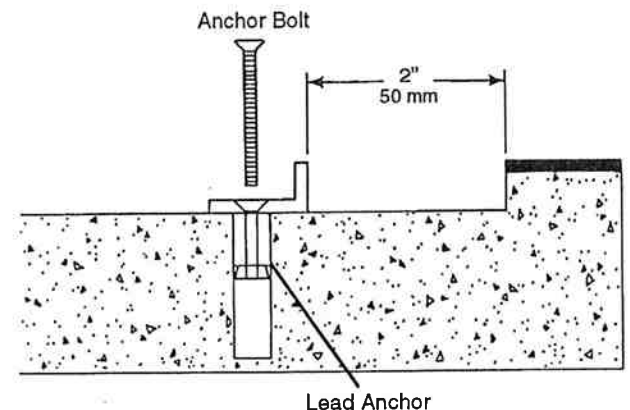
The mat frames should be secured to the concrete floor using anchor bolts into lead anchors that are set into the floor.

Drill holes in the frames at about 2-ft (6-m) intervals for the bolts. Countersink the holes.

Set the frames into the recess at the appropriate locations to position the mat(s). Mark the hole locations on the concrete.

Remove the frames and drill holes in the floor for the anchors.

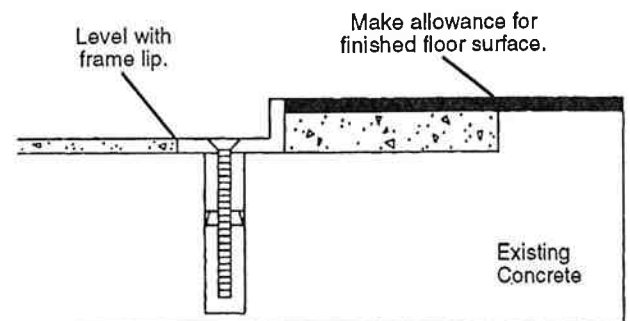
Install the anchors using an anchor setting tool.



3. Secure frames in the recess

Reinstall the frames. Secure them to the floor with 1/8" x 1 1/2" anchor bolts into the lead anchors.

NOTE: If necessary, shim under the frame sections so that the top edge of the frames is flush with the finished floor surface, and the frames are level.



4. Pour concrete

Pour concrete (or grout) around the edges and in the center of the frame.

5. Level the concrete

Cut a board just slightly **shorter** than the width of the frame. Use the board to smooth and level the concrete.

Be very careful that the concrete is absolutely smooth and level with the inside lip of the frame. This will allow the mat to lie perfectly flat and avoid rocking.

7. Recheck all dimensions

Before the concrete sets, recheck that:

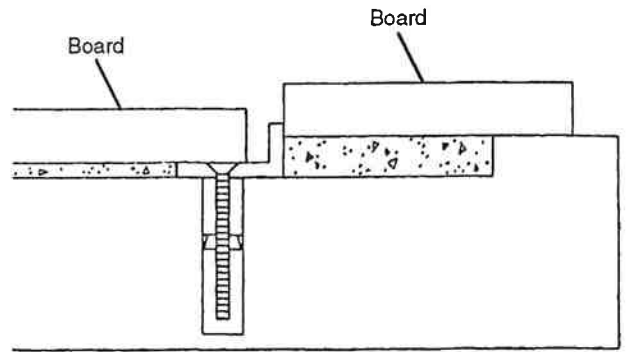
- The frame sides are straight
- The frame corners are at correct angles so the mat will fit properly
- All inside dimensions of the frame are accurate according to drawing measurements

If the frame bows inward, use spreaders inside the frame until the concrete is thoroughly set.

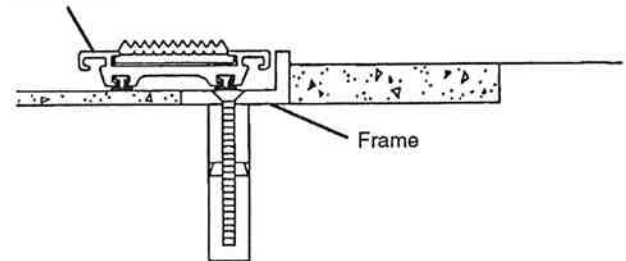
IMPORTANT: The mat is made to fit snugly into the frame according to the drawing. Reese cannot be responsible for problems that result from improperly installed frames.

8. Protect the frame edges

When the concrete has hardened, install plywood or other material in the recess to protect the frame edges from damage until the mat is installed.



Level the concrete so the mat will lie flat when installed.



Use spreaders if frame bows inward.

