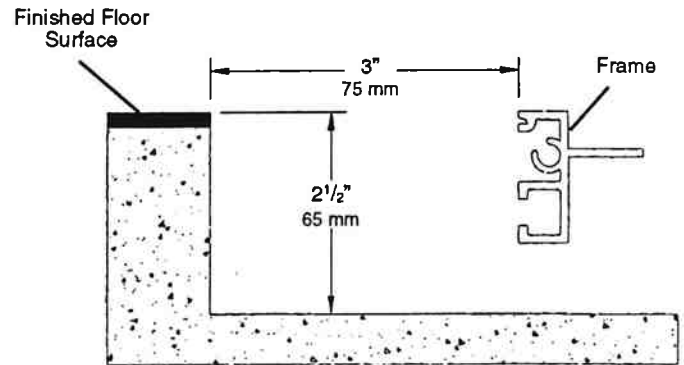


1. Prepare the floor recess

Prepare a recess in the concrete flooring where the mat will be located. The recess should be at least:

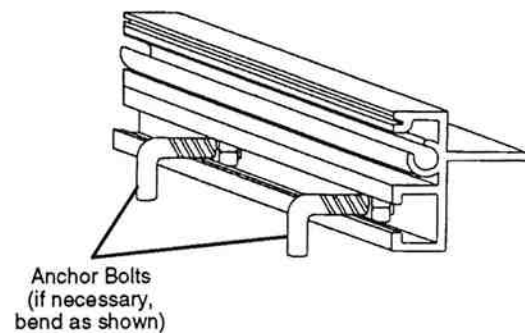
- 2½" (65 mm) deep
- 6" (150 mm) wider than the outside dimensions of the frame — this allows 3" (75 mm) on all sides to maneuver the frame into position



2. Install anchor bolts

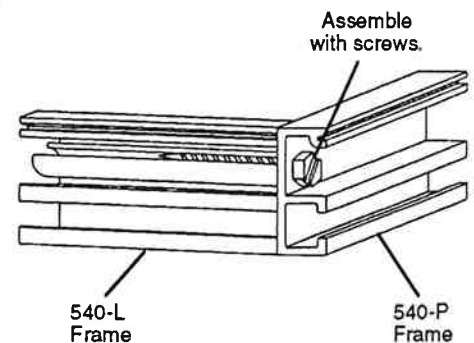
Slide ¼" x 3" anchor bolts (with nuts) into the frames from the end. If you were unable to allow the 3" (75 mm) spacing specified above, you may have to bend the bolts so the assembled frame will fit in the recess.

Space the bolts at approximately 2-ft (0.5-m) intervals along the frame sections.



3. Assemble the frame

Using the screws provided, assemble the frame.

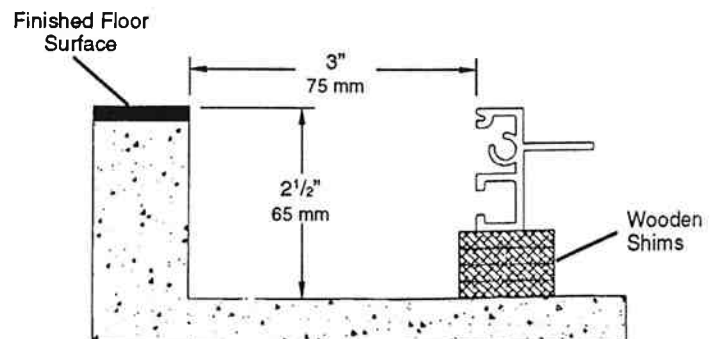


4. Place the frame in the recess

Set the frame in the recess at the desired location.

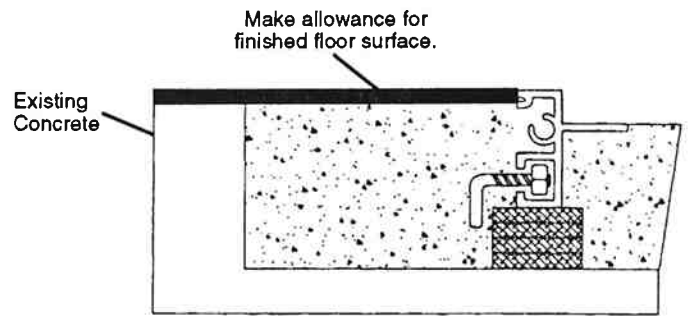
Use wooden shims to:

- Raise the frame so the top will be flush with the finished floor surface
- Level the frame



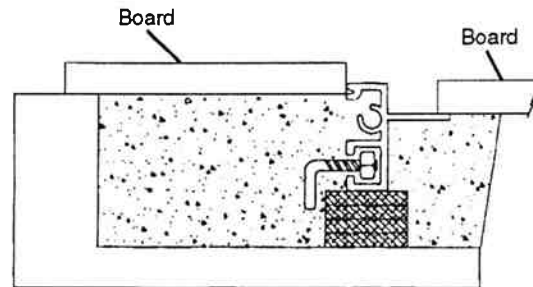
5. Pour concrete

Pour concrete (or grout) around the edges and in the center of the frame, until the concrete is level with the lip on the 540-L frame sections.



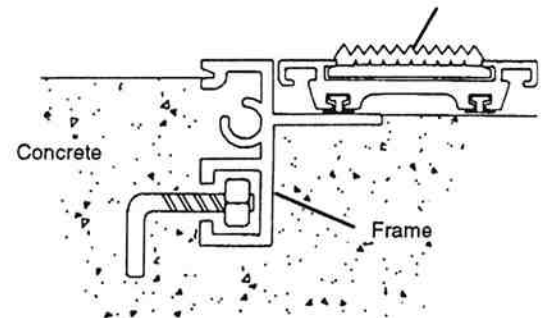
6. Level the concrete

Cut a board just slightly shorter than the width of the frame. Use the board to smooth and level the concrete.



Be very careful that the concrete is absolutely smooth and level with the inside lip of the frame. This will allow the mat to lie perfectly flat and avoid rocking.

Level the concrete so the mat will lie flat when installed.



7. Recheck all dimensions

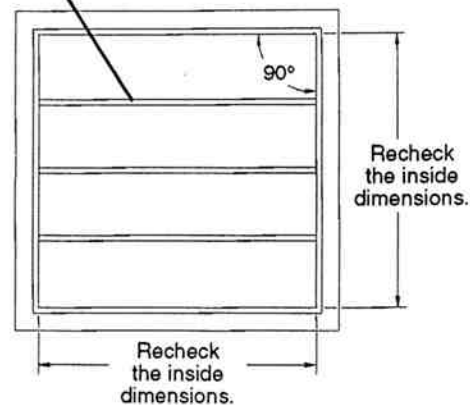
Before the concrete sets, recheck that:

- The frame sides are straight
- The frame corners are at correct angles so the mat will fit properly
- All inside dimensions of the frame are accurate according to drawing measurements

If the frame bows inward, use spreaders inside the frame until the concrete is thoroughly set.

IMPORTANT: The mat is made to fit snugly into the frame according to the drawing. Reese cannot be responsible for problems that result from improperly installed frames.

Use spreaders if frame bows inward.



8. Protect the frame edges

When the concrete has hardened, install plywood or other material in the recess to protect the frame edges from damage until the mat is installed.

